

Unilite Opto Technology

email: info@unilite-tech.com

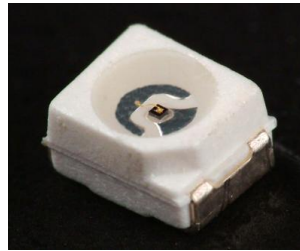
U-P3528Y-HY

■ Description

The PLCC2 type U-P3528Y-HY TOP VIEW LED, with its light weight , enables smaller board size, higher packing density, reduced storage space and miniature applications.



- Dice Material : AlGaInP
- Light Color : Yellow
- Lens Color : Water Transparent



■ Features

- 1 chips package
- Compatible with automatic placement equipment
- Compatible with reflow soldering process
- Long operating life
- Low forward voltage operated
- Instant light
- Pb -free/ RoHS compliant

■ Applications

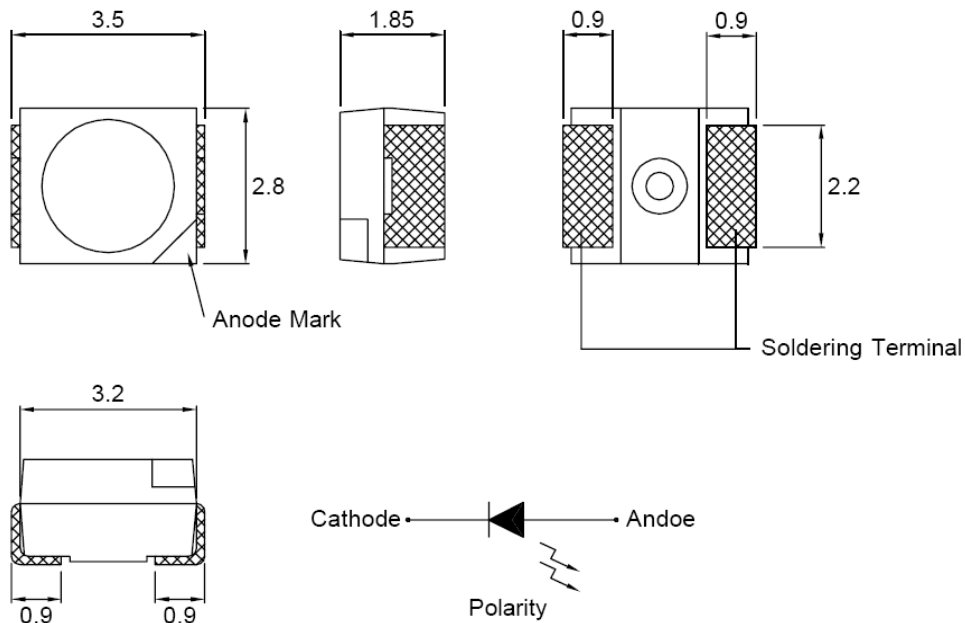
- Information boards
- Automotive Interior Lighting
- Indoor and outdoor display
- Indicator
- Backlighting
- Light bar
- General applications

Unilite Opto Technology

email: info@unilite-tech.com

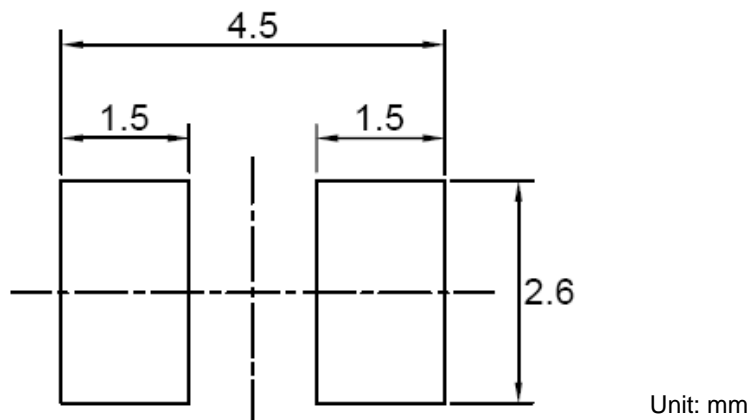
U-P3528Y-HY

■ Outline Dimensions (mm)



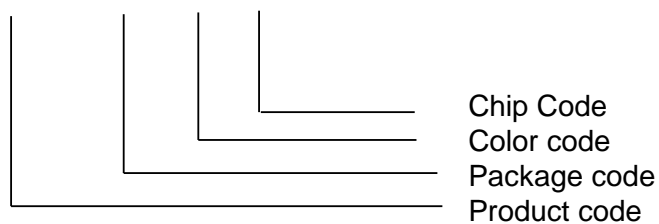
Tolerance : ± 0.25 mm

■ Recommended Soldering Pad Design



■ Part Numbering System

U - P 3 5 2 8 Y - HY



Unilite Opto Technology

email: info@unilite-tech.com

U-P3528Y-HY

■ Absolute Maximum Ratings at Ta = 25 °C

PARAMETER	symbo	MAX.	UNIT
Power Dissipation *	PD	78	mW
Continuous Forward Current *	IF	30	mA
Peak Forward Current (1/10 Duty Cycle , 0.1ms Pulse Width) *	IFP	60	mA
Reverse Voltage	VR	5	V
Operating Temperature Range	Topr	-30 to + 100	°C
Storage Temperature Range	Tstg	-40 to + 100	°C
Reflow Soldering Condition	Tsld	260 °C for 10 sec. 2 time.	

■ Electro-Optical Characteristics

Condition : $I_F = 20\text{mA}$, $T_a = 25^\circ\text{C}$

PARAMETER	SYMBOL	TEST CONDITION	VALUES			UNIT
			MIN.	TYP.	MAX.	
* Forward Voltage	V_F	$I_F=20\text{mA}$	1.7		2.6	V
Reverse Current	I_R	$V_R= 5\text{V}$			10	μA
Intensity	mcd	$I_F=20\text{mA}$	200	500		mcd
Peak Emission Wavelength	λ_p	$V_R= 20\text{V}$		592		nm
Dominant Wavelength	λ_d	$V_R= 20\text{V}$		590		nm
Viewing Angle at 50% Iv	2θ 1/2	$I_F=20\text{mA}$		120		Deg.

Unilite Opto Technology

email: info@unilite-tech.com

U-P3528Y-HY

■ Bin Grade Limits ($I_F = 20 \text{ mA}^*$) Luminous Intensity / mcd

Tolerance : $\pm 15\%$

Item		Min	Max	Unit
Luminous Intensity	Y1	218	280	mcd
	Y2	280	360	mcd
	Y3	360	465	mcd
	Y4	465	600	mcd
	Y5	600	780	mcd
	Y6	780	1000	mcd

■ Bin Grade Limits ($I_F = 20 \text{ mA}$) Forward Voltage / v

Bin Code	Min	Max	Unit
V16	1.6	1.8	V
V18	1.8	2.0	V
V20	2.0	2.2	V
V22	2.2	2.4	V
V24	2.4	2.6	V
V26	2.6	2.8	V

■ Bin Grade Limits ($I_F = 20 \text{ mA}^*$) Chromaticity Coordinates

Bin	YW1	YW2	YW3	YW4	YW5
Min.	583	586	589	592	595
Max.	586	589	592	595	598

Unilite Opto Technology

email: info@unilite-tech.com

U-P3528Y-HY

■ Characteristics Data

Fig.1 Forward current vs. Forward Voltage

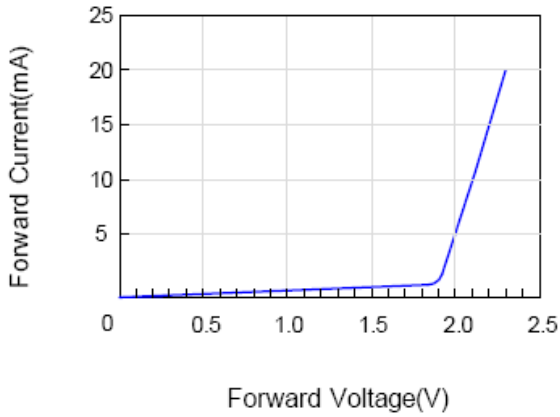


Fig.2 Relative Intensity vs. Forward Current

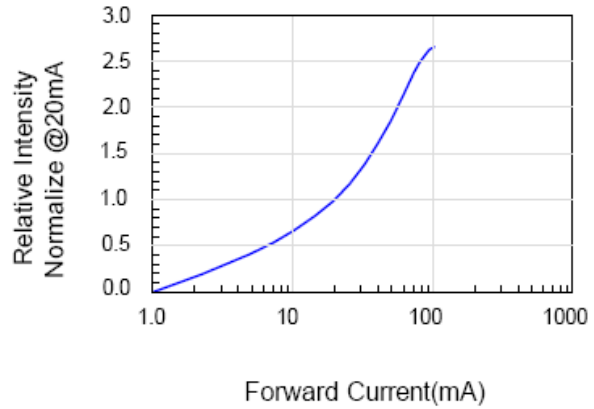


Fig.3 Forward Voltage vs. Temperature

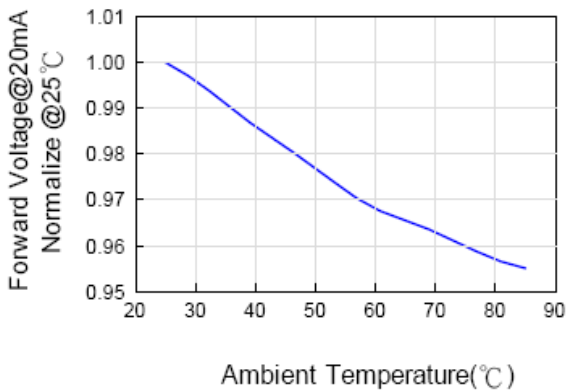


Fig.4 Relative Intensity vs. Temperature

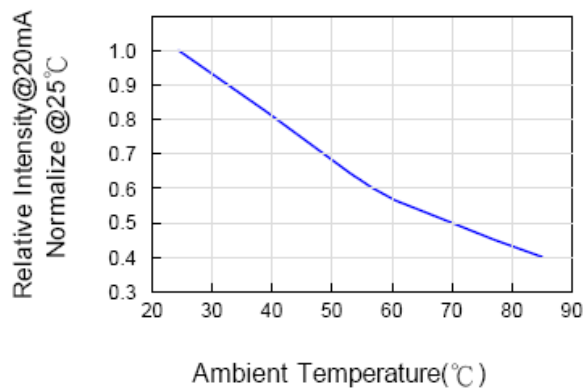


Fig.5 Relative Intensity vs. Wavelength

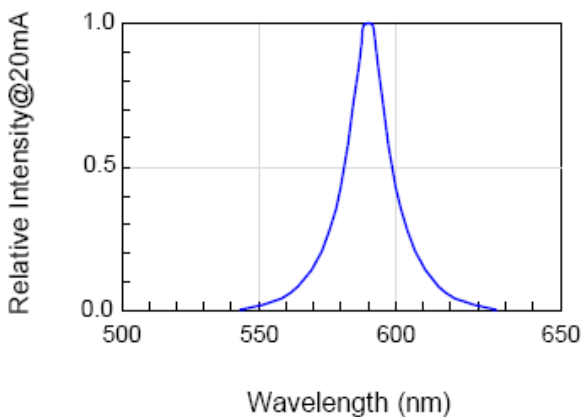
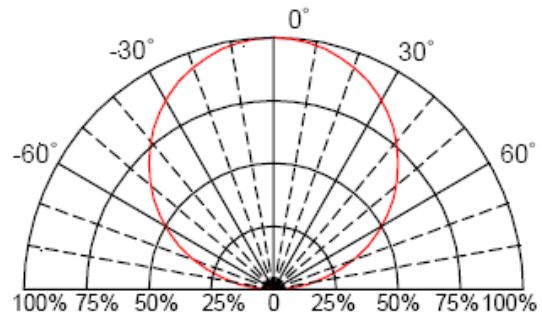


Fig.6 Directive Radiation

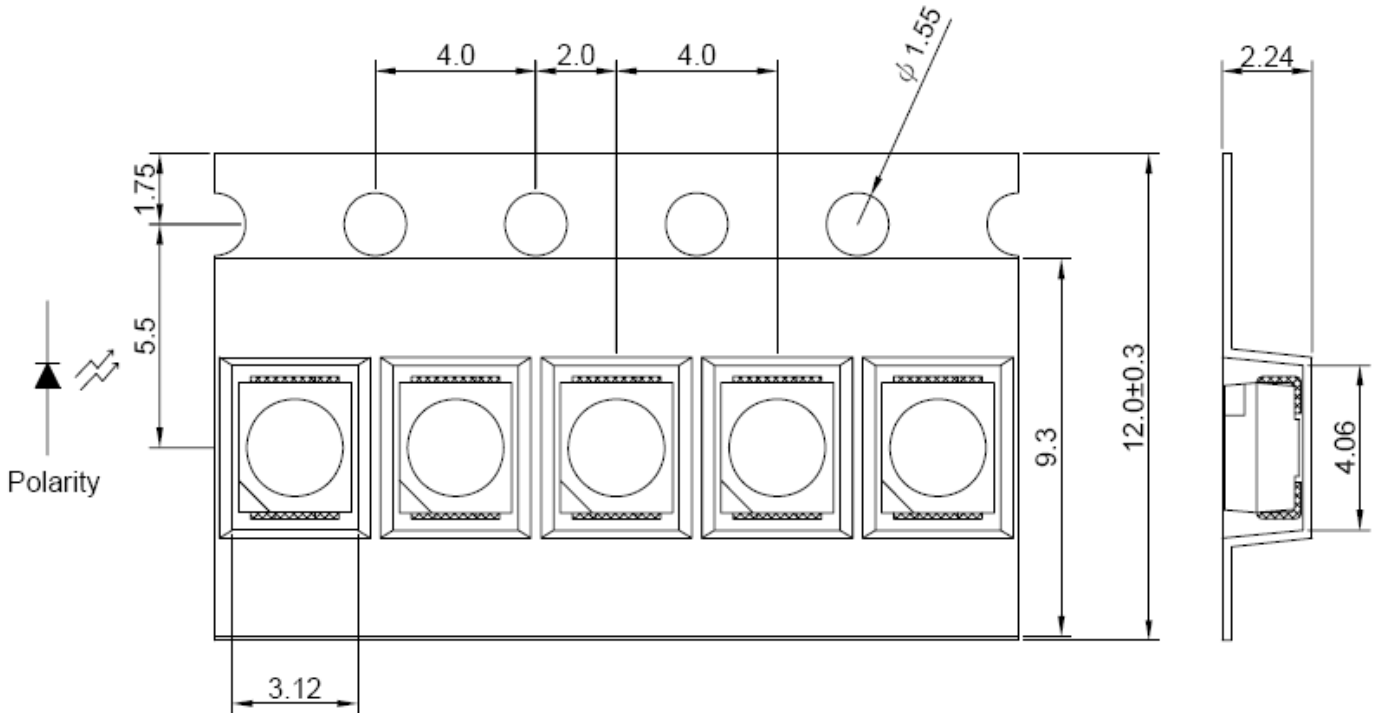


Unilite Opto Technology

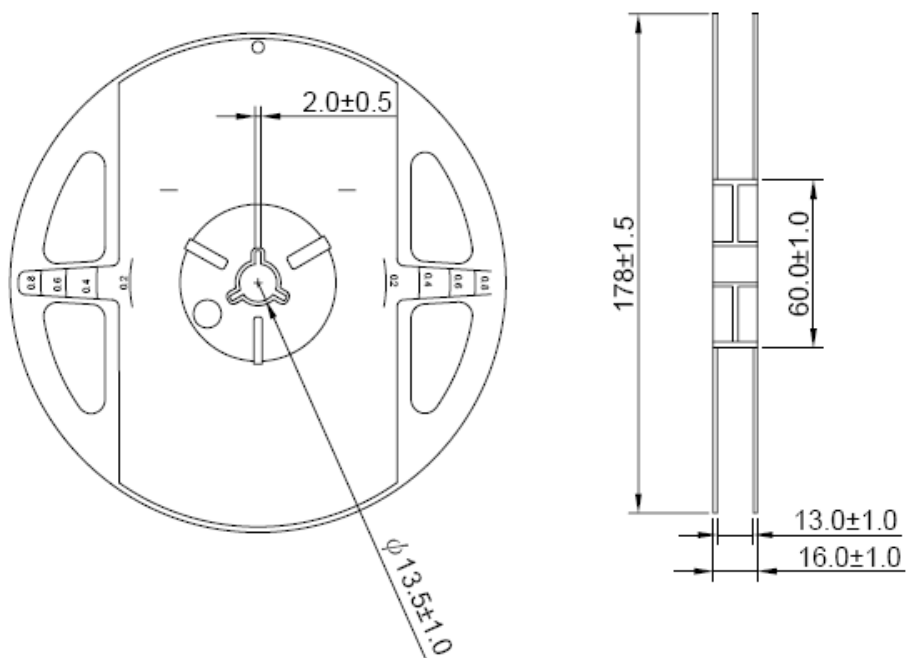
email: info@unilite-tech.com

U-P3528Y-HY

Carrier Type Dimension



Reel Dimension



Unilite Opto Technology

email: info@unilite-tech.com

U-P3528Y-HY

■ Reliability Test Items and Conditions

(1) TEST ITEMS AND RESULTS

Test Item	Standard Test Method	Test Conditions	Note	Number of Damaged
Resistance to Soldering Heat (Reflow Soldering)	JEITA ED-4701 300 301	Tsd=260°C , 10secs	2 times	0/22
Thermal Shock	—	-40°C ~ 100°C 30min. 30min.	100 cycles	0/22
Temperature Cycle	JEITA ED-4701 100 105	-40°C ~ 25°C ~ 100°C ~ 25°C 30min. 5min. 30min. 5min.	100 cycles	0/22
High Temperature Storage	JEITA ED-4701 200 201	Ta=100°C	1000 hrs.	0/22
Low Temperature Storage	JEITA ED-4701 200 202	Ta=-40°C	1000 hrs.	0/22
Steady State Operating Life	—	Ta=25°C, I _F =30mA, DC	1000 hrs.	0/22
Steady State Operating Life of High Temperature	—	Ta=85°C, I _F =25mA, DC	1000 hrs.	0/22
Steady State Operating Life of High Humidity Heat	—	60°C, RH=90%, I _F =20mA, DC	1000 hrs.	0/22

(2) CRITERIA FOR JUDGING DAMAGE

Item	Symbol	Test Conditions	Criteria for Judgement	
			Min	Max
Forward Voltage	V _F	I _F =20mA	—	U.S.L.*) x 1.2
Reverse Current	I _R	V _R =5V	—	10μA
Luminous Intensity	I _V	I _F =20mA	L.S.L.***) x 0.7	—

U.S.L.:Upper Standard Level

L.S.L.:Lower Standard Level

Unilite Opto Technology

email: info@unilite-tech.com

U-P3528Y-HY

■ Cautions

(1) Moisture Proof Package

- A) The moisture proof package, a plastic bag with a zipper, is used to keep moisture to a minimum in the package.
- B) A package of a moisture absorbent material (silica gel) is also inserted into the plastic moisture proof bag and the silica gel changes its color from blue to pink as it absorbs moisture.
- C) The absorbed moisture in the SMT package may vaporize and expand during soldering. This may cause exfoliation of the contacts and damage to the optical characteristics of the LEDs.

(2) Storage Conditions

- A) Before opening the package :
The LEDs should be kept at 30°C or less and 45~60% RH or less and should be used within a year. When storing the LEDs, moisture proof package with absorbent material (silica gel) is recommended.
- B) After opening the package :
The LEDs should be kept at 30°C or less and 55% RH or less and should be soldered within 168 hours (7days) after opening the package. The unused LEDs should be stored in moisture proof packages.
- C) It's also recommended to return the LEDs to the original moisture proof bag and to reseal the moisture proof bag again.
- D) If the moisture absorbent material (silica gel) has faded away or the SMD LEDs have exceeded the storage time, baking treatment (more than 24 hours at 65+/-5°C) should be performed before soldering.

(3) Heat Generation

- A) The thermal design of the end product is very important. It is necessary to avoid intense heat generation and operate within the maximum ratings given in this specification.
- B) The operating current should be decided after considering the ambient maximum temperature of LEDs.

(4) Cleaning

- A) Isopropyl alcohol is recommended to be used as a solvent for cleaning the LEDs.
- B) Before cleaning, a pre-test should be done to confirm whether any damage to the LEDs will occur.

Unilite Opto Technology

email: info@unilite-tech.com

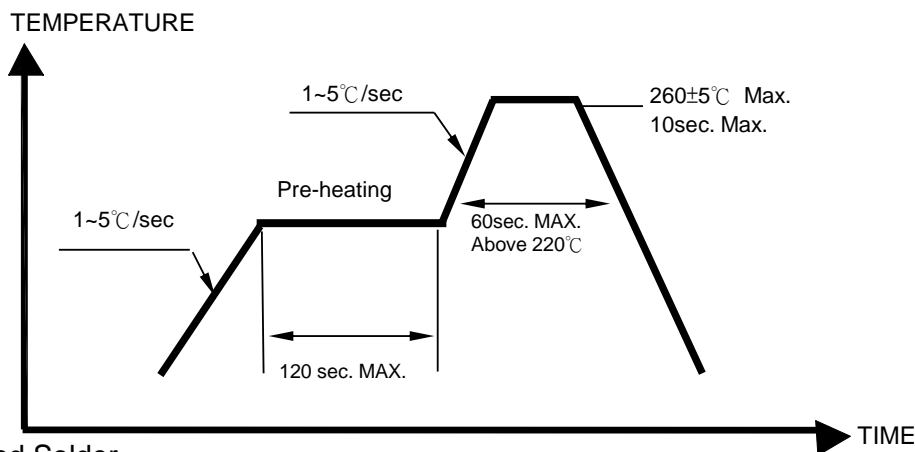
U-P3528Y-HY

(5) Soldering

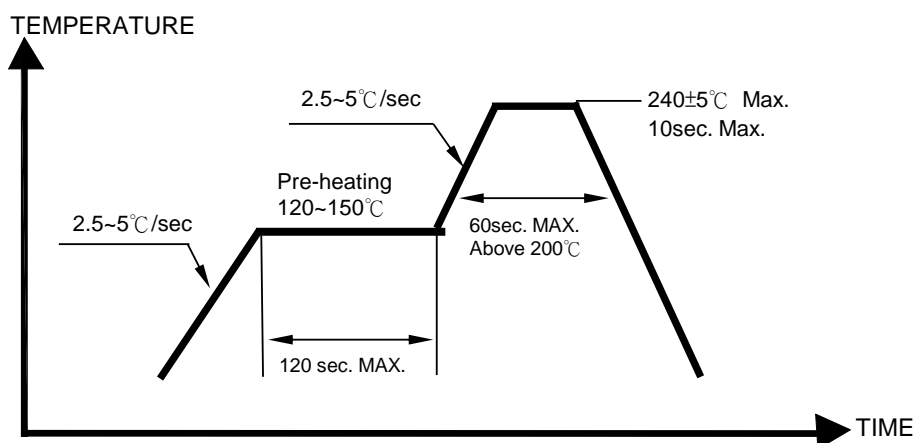
Reflow Soldering (recommended) :

- A) To prevent from cracking, please bake (65°C, 24hrs) before soldering.
- B) When soldering, do not load stress on the LEDs during heating.
- C) Never take next process until the component is cooled down to room temperature after reflow.
- D) After soldering, do not warp the circuit board.
- E) The recommended reflow soldering profile (measuring on the surface of the LED resin) is the following:

(a) Lead-Free Solder



(b) Lead Solder



Manual Soldering (not recommended) :

- A) To prevent from cracking, please bake (65°C, 24hrs) before soldering.
- B) Temperature at tip of iron: 250°C Max. (25W).
- C) It's banned to load any stress on the resin during soldering.
- D) Soldering time: 3 sec. Max.(one time only).

Unilite Opto Technology

email: info@unilite-tech.com

U-P3528Y-HY

- (6) ESD (electrostatic discharge) protection (base on machine mode)
- A) The product is AlGaInP based light emitting diode (LED) and is extremely sensitive to ESD. Users are strongly recommended to take necessary meter to test the static electricity and avoid ESD when handling this product.
 - B) Proper grounding of machines (via $1M\Omega$), using static dissipative mats, containers, working uniforms and shoes are considered to be effective against ESD.
 - C) An ionizer is recommended in the facility or environment where ESD may be generated easily, and soldering iron with a grounded tip is also recommended.
 - D) When inspecting the final products in which LEDs are assembled, it is recommended to check whether the assembled LEDs are damaged by ESD or not. It is simple to find damaged LEDs by light-on or VF test at lower current (below 1mA is recommended).
 - E) ESD damaged LEDs will show some unusual characteristics such as the remarkable increasing of leak current, the decreasing of forward voltage, or the LEDs do not light on at the low current.
- (7) Other
- A) Care must be taken to ensure that the reverse voltage will not exceed the absolute maximum rating when using the LEDs with matrix drive.
 - B) The LED light output is strong enough to injure human eyes. Precaution must be taken to prevent looking directly at the LEDs with unaided eyes for more than a few seconds.
 - C) The LEDs described here are intended to be used for ordinary electronic equipment, please consult Unilite Opto in advance for information on applications.
 - D) Installing a protection device in the LED driving circuit to avoid surge current exceeding the max rating during on/off switching.
 - E) The appearance and specifications of the product may be modified for improvement without notice.
 - F) Please use the product within 168 hours after opening the seal and keep under 30 °C and 70% humidity.
 - G) Unilite Opto Technology will not be responsible for any claim for damage if the user use the product without following the caution or instruction of the specification.