

Unilite Opto Technology

email: info@unilite-tech.com

U-AHBW-120-XW-XX-N

■ Description

- Hours to 70% of original lumen output based upon Lm80 Data.
- Total Lumen output divided by the combined wattage of luminaire and driver
- Color Rendering Index: The fidelity of the color of the objects in lamp light compared with an ideal or natural s
- The hypothesis of energy saving base.
- Onlighting up 8 hours per day and total more than 3 years.
- View Angle: 50 ° / 80°



■ Features

- LED Chip: COB 40W*3 pcs
- LED driver : 85-260V
- Power supply: Meanwell or Optional
- Housing: Aluminum
- Instant light
- Pb -free/ RoHS compliant
- Net Weight: 5.5 KG

■ Applications



Parking Lot



Gym



Studio



Restaurant



Kitchen



Hotel



Home



Hospital



Shopping mall



Department store



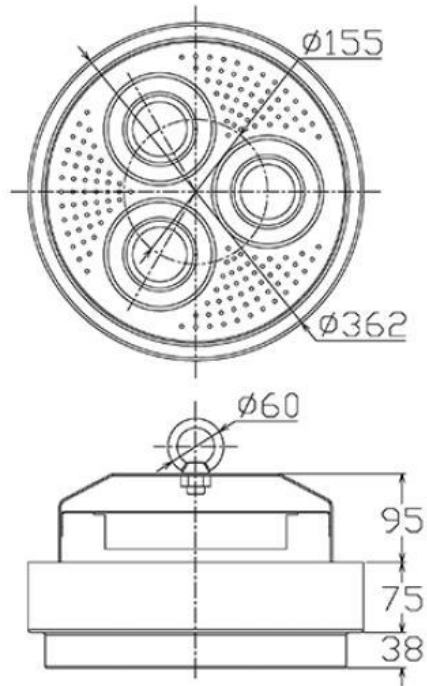
School

Unilite Opto Technology

email: info@unilite-tech.com

U-AHBW-120-XW-XX-N

■ Outline Dimensions (mm)



Tolerance : ± 0.1 mm

■ Fixture detail



CE RoHS

Unilite Opto Technology

email: info@unilite-tech.com

U-AHBW-120-XW-XX-N

■ Part number

PARAMETER	Power	Luminous Flux	Warranty
U-AHBW-120- XW-XX-N	120W	13200	3 years

■ Color Bin

Color Bin	Warm White (WW)	Day white (NW)	Cool white (CW)
Color Klevin	2900-3300K	5650-6300K	9000-12000K

■ Comparison



Products	Power	Luminous Flux	Lifespan	EnergySaving
U-AHBW-120-XW-XX-N	120W	13,200LM	3,0000 Hours	1139KW·H
Metal Halide Lamp	250W	11,400LM	1,0000 Hours	

Unilite Opto Technology

email: info@unilite-tech.com

U-AHBW-120-XW-XX-N

■ Performance

