

Unilite Opto Technology

email: info@unilite-tech.com

U-AHBW-200-XW-XX-Y

■ Description

- Hours to 70% of original lumen output based upon Lm80 Data.
- Total Lumen output divided by the combined wattage of luminaire and driver
- Color Rendering Index: The fidelity of the color of the objects in lamp light compared with an ideal or natural source
- The hypothesise of energy saving base.
- Onlighting up 8 hours per day and total more than 3 years.
- View Angle: 30°/60°/90°/120°



■ Features

- LED Chip: 16 pcs
- LED driver : 100-260V
- Power supply: Meanwell or Optional
- Housing: Aluminum / Plastic
- H187*Φ525mm
- Instant light
- Pb -free/ RoHS compliant
- Net Weight: 8 KG

■ Applications



Parking Lot



Gym

Studio



Restaurant

Kitchen



Hotel

Home



Hospital



Shopping mall

Department store



School

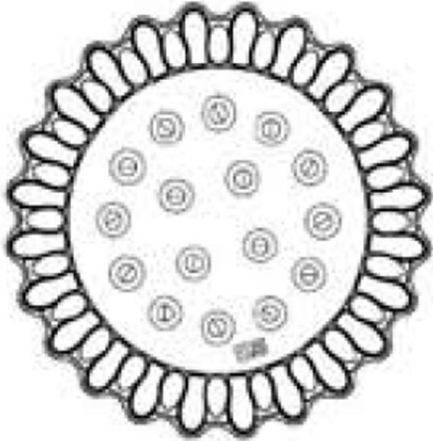
Unilite Opto Technology

email: info@unilite-tech.com

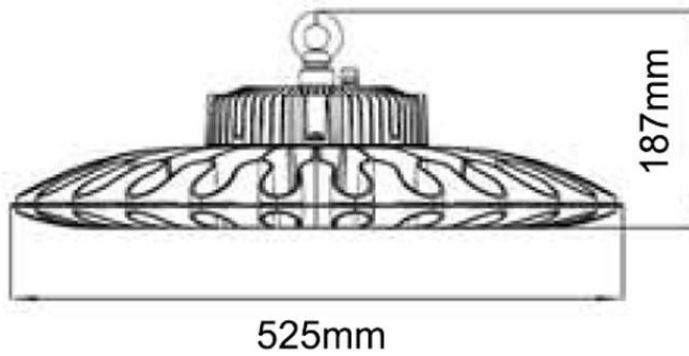
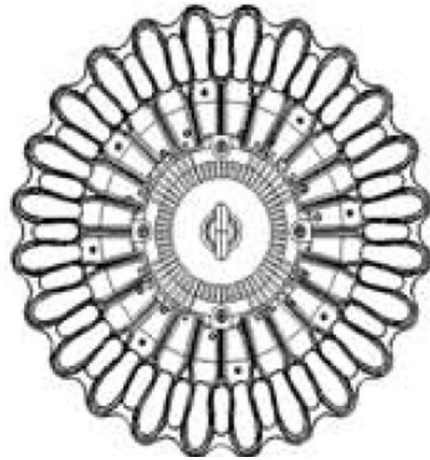
U-AHBW-200-XW-XX-Y

■ Outline Dimensions (mm)

Front Side

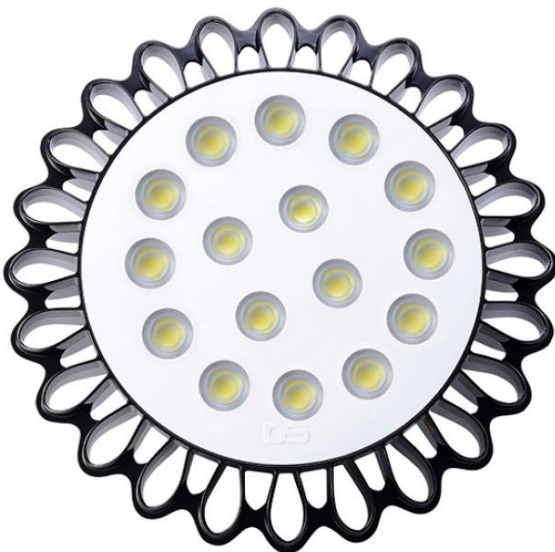


Back Side



Tolerance : ± 0.1 mm

■ Fixture detail



CE RoHS

Unilite Opto Technology

email: info@unilite-tech.com

U-AHBW-200-XW-XX-Y

■ Part number

PARAMETER	Power	Luminous Flux	Warranty
U-AHBW-200- XW-XX-Y	200W	18000	3 years

■ Color Bin

Color Bin	Warm White (WW)	Day white (NW)	Cool white (CW)
Color Klevin	2900-3300K	5650-6300K	9000-12000K

■ Comparison



VS



Products	Power	Luminous Flux	Lifespan	EnergySaving
U-AHBW-200-XW-	200W	18,000LM	30,000 Hours	1752KW·H
Metal Halide Lamp	400W	16,000LM	10,000 Hours	